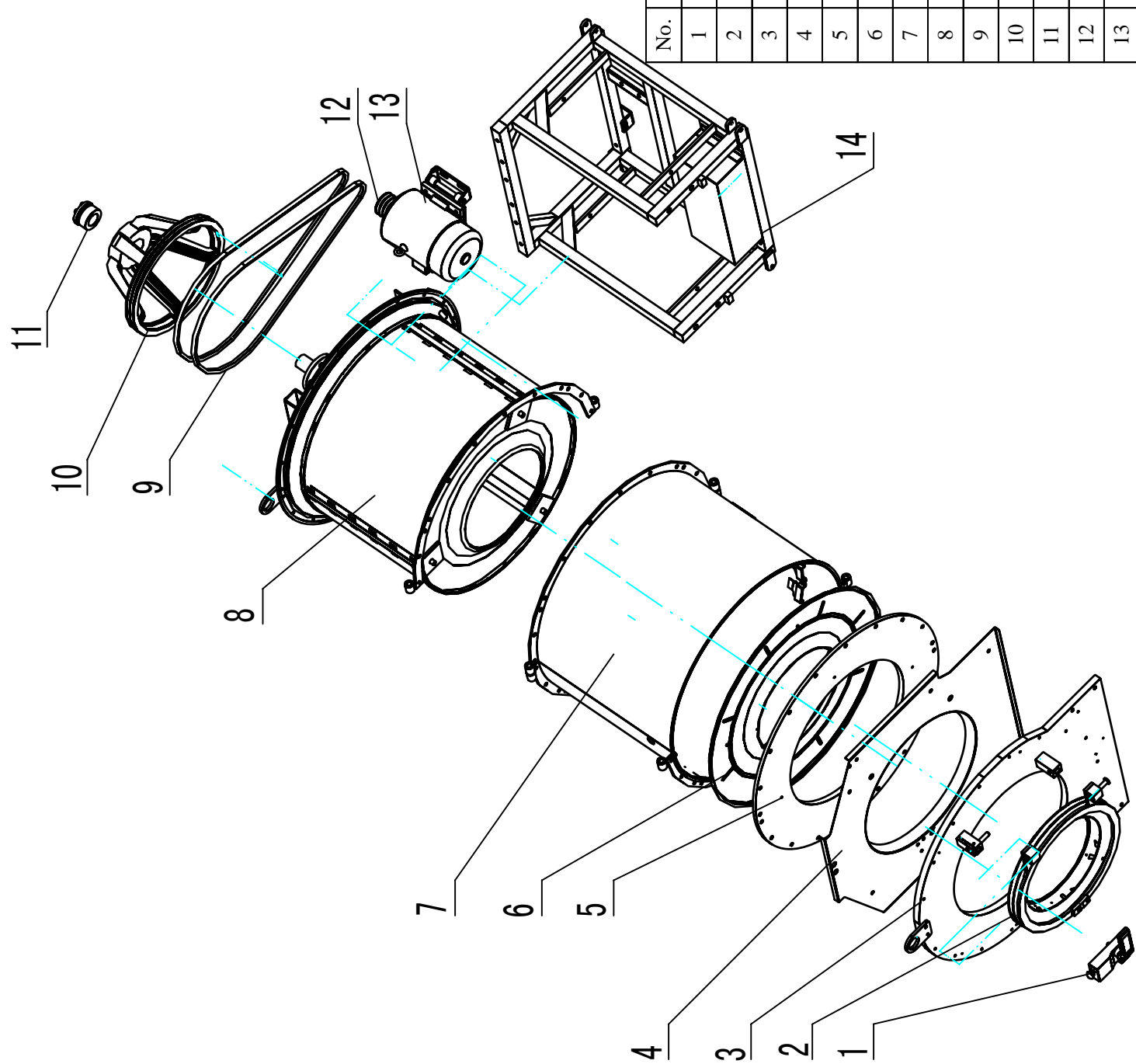


MAXIWASH

SPARE PARTS

MWSXT 250FQ

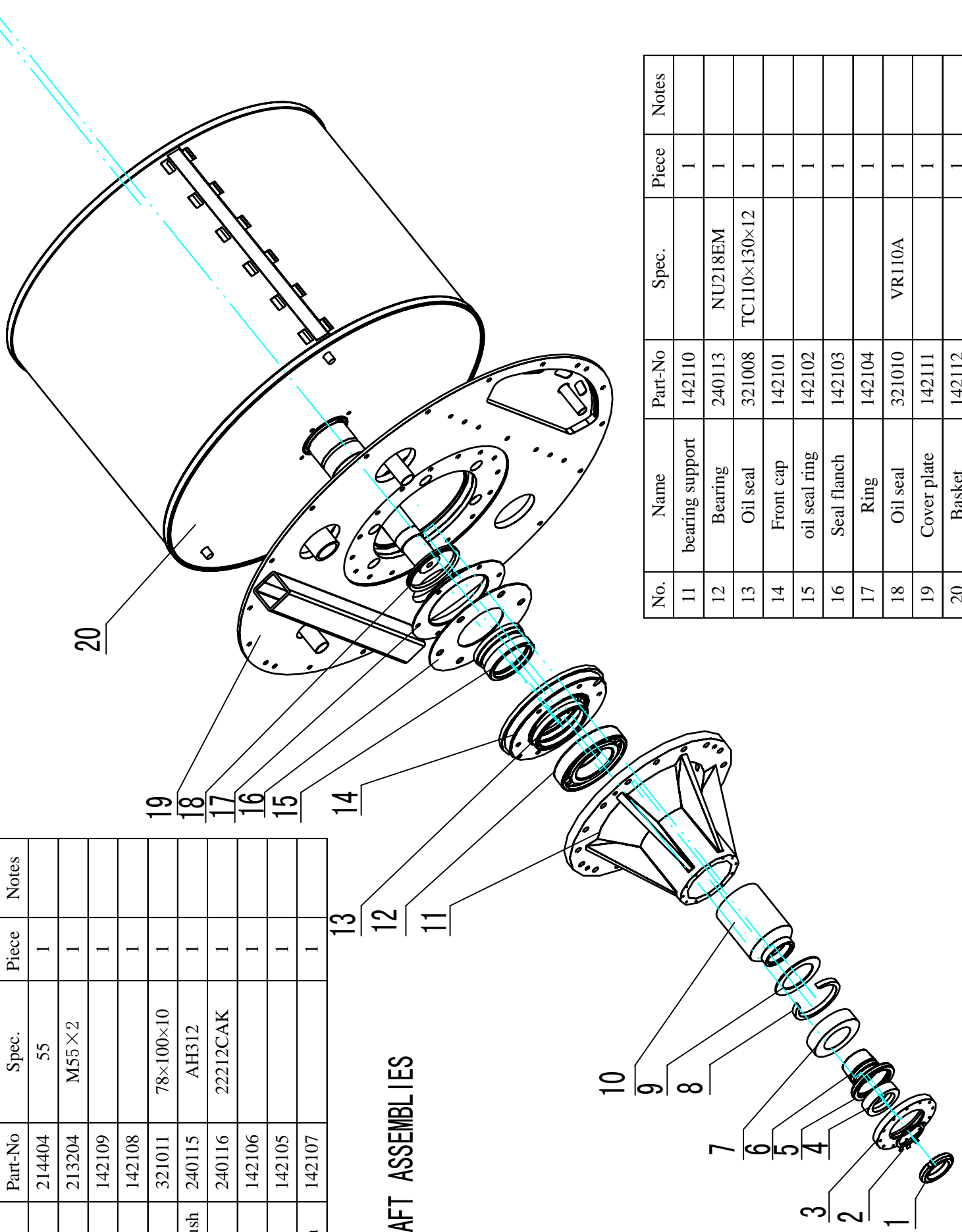


LEVITATION ASSEMBLIES

No.	Name	Part-No.	Spec.	Pieces	Notes
1	Door lock	142301		1	
2	Door assemblies	142302		1	
3	Front plate	142303		1	
4	Welt	142304		1	
5	Cover plate	142305		1	
6	Cover welt	142306		1	
7	Drum	142307		1	
8	Drum assemblies	142308		1	
9	V-belt	231003	B83	2	
10	Belt sheave	142309		1	
11	Locking assemblies	222006	Z13 48×80	1	
12	Motor belt sheave	142310		1	
13	Motor	791024	3kw 1400r.p.m.	1	Y100L2-4
14	Framework	142311		1	

No.	Name	Part-No	Spec.	Piece	Notes
1	Tab washer	214404	55	1	
2	Round nut	213204	M55×2	1	
3	Back cap	142109		1	
4	Gland	142108		1	
5	Oil seal	321011	78×100×10	1	
6	Disassemble bush	240115	AH312	1	
7	Bearing	240116	22212CAK	1	
8	Isolated ring	142106		1	
9	Baffle	142105		1	
10	Isolated bush	142107		1	

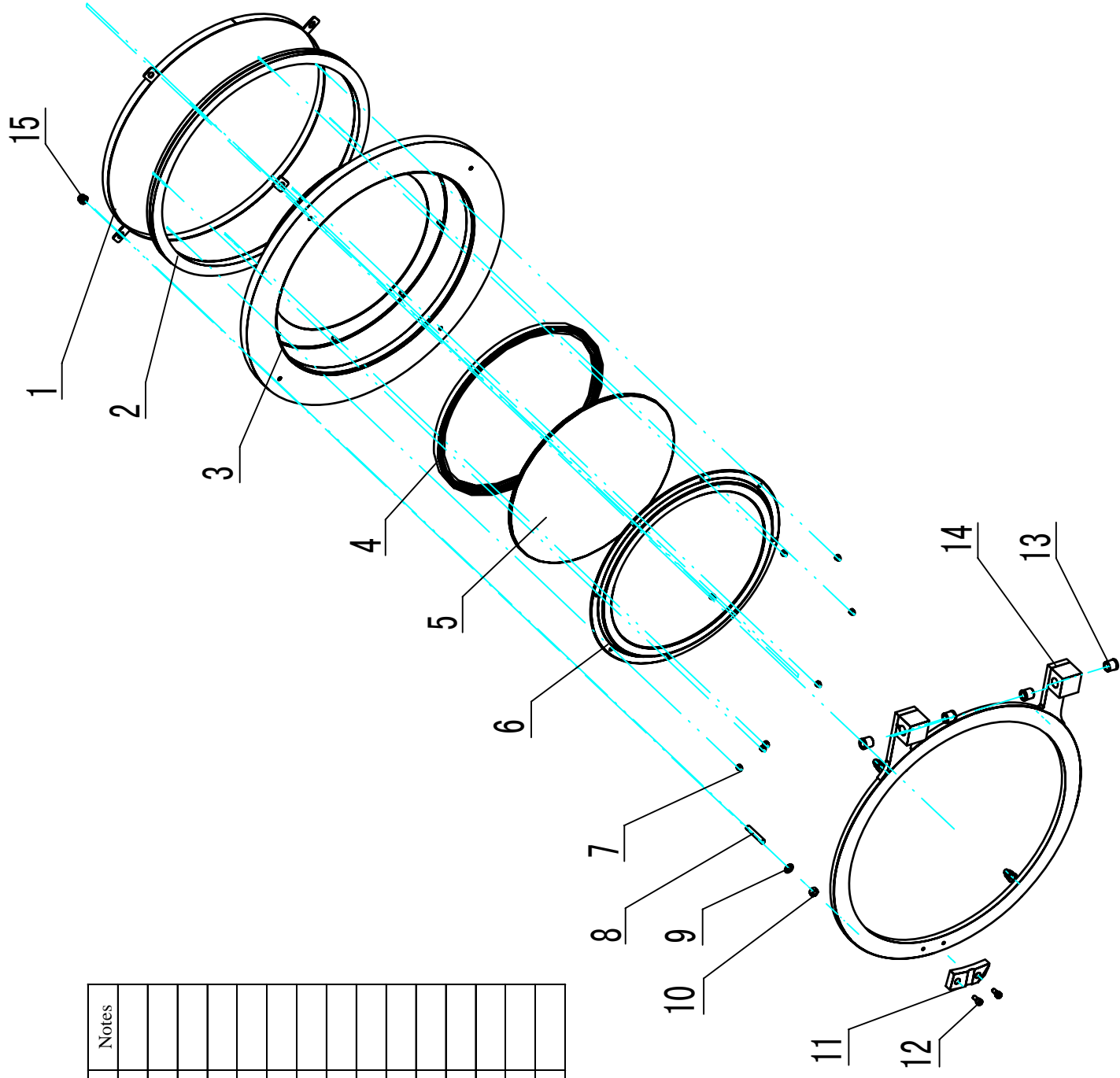
BASKET-SHAFT ASSEMBLIES



No.	Name	Part-No	Spec.	Piece	Notes
11	bearing support	142110		1	
12	Bearing	240113	NU218EM	1	
13	Oil seal	321008	TC110×130×12	1	
14	Front cap	142101		1	
15	oil seal ring	142102		1	
16	Seal flanch	142103		1	
17	Ring	142104		1	
18	Oil seal	321010	VR110A	1	
19	Cover plate	142111		1	
20	Basket	142112		1	

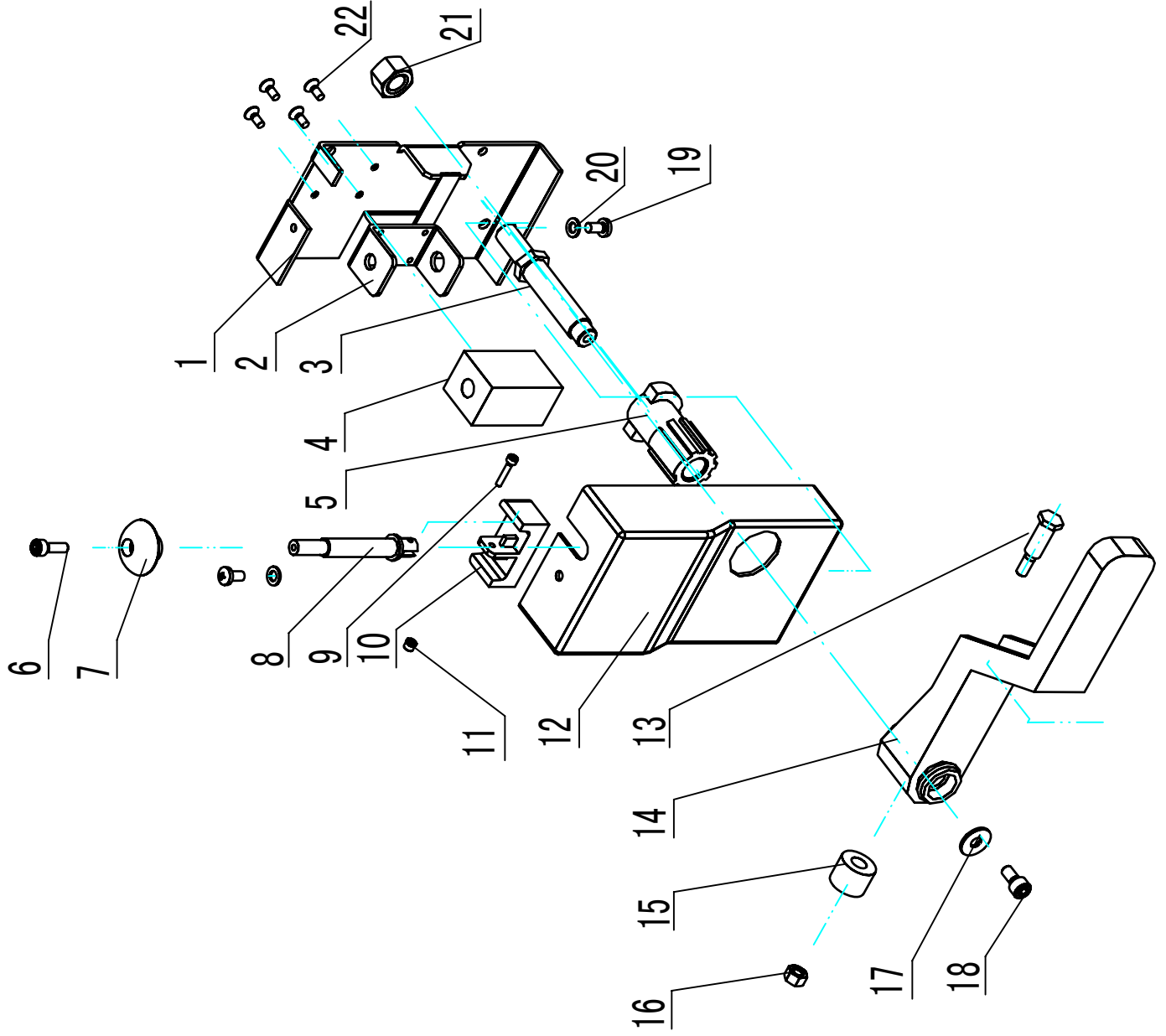
LOADING DOOR ASSEMBLIES

No.	Name	Part-No.	Spec.	Pieces	Notes
1	Gasket gland	146118		1	
2	Door gasket	351005		1	
3	Door frame	146104		1	
4	Glass gasket	351001	∅ 342 × 12	1	
5	Door glass	772002	∅ 339 × 5	1	
6	Gland	146106		1	
7	Acorn nuts	213403	M5	8	
8	Slotted set screws	212404	M8 × 55	4	
9	Plain washer	214105	8	4	
10	Hexagon nuts	213105	M8	4	
11	Padding block	146119		1	
12	Inner hex screw	212108	M6 × 12	2	
13	Shaft sleeve	146103		4	
14	Frame	146102		1	
15	Locking nut	213705	M8	4	



DOOR LOCK ASSEMBLIES

No	Name	Part-No	Spec.	Pieces	Notes
1	Lock plate	146111		1	
2	Electromagnet support	146112		1	
3	Handle bolt	146113		1	
4	Electromagnet	851103		1	
5	Ratchet wheel	146114		1	
6	Inner hex screw	212101	M5×16	1	
7	locking knob	146109		1	
8	Shaft	146115		1	
9	Inner hex screw	212115	M3×16	1	
10	lock cylinder	146110		1	
11	Nut	213101	M3	1	
12	lock cover	146108		1	
13	Roller shaft	146116		1	
14	handle	146107		1	
15	Roller	146117		1	
16	Locking nut	213704	M12	1	
17	Plain washer	214104	6	1	
18	Inner hex screw	212108	M6×12	1	
19	lenti-head screw	212204	M5×10	2	
20	Plain washer	214103	5	2	
21	Locking nut	213707	M12	1	
22	flat-head screw	212602	M4×10	4	



SXT-150 DRAIN ASSEMBLIES

No.	Name	Part-No.	Spec.	Piece	Notes
1	Drum	142205		1	
2	Drum drain hose	362010		1	
3	Hose clamps	250104	70	3	
4	Drain pipe	144004		1	
5	Link hose	362001		1	
6	Drain valve	840503	2"	1	
7	Hose clamps	250105	50	1	
8	Spill hose	362011		1	
9	Water level hose	362012		1	

