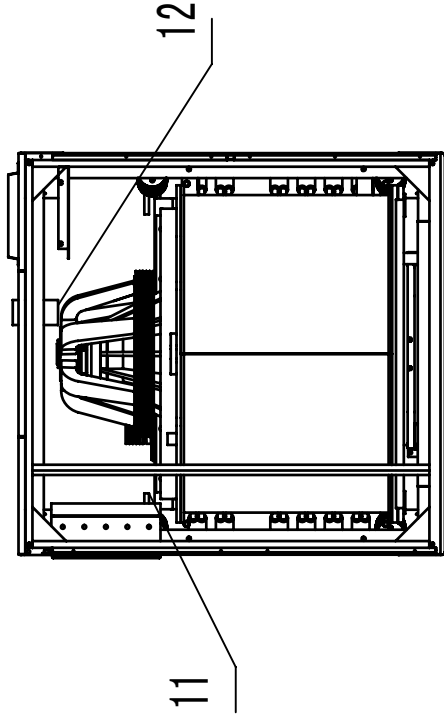
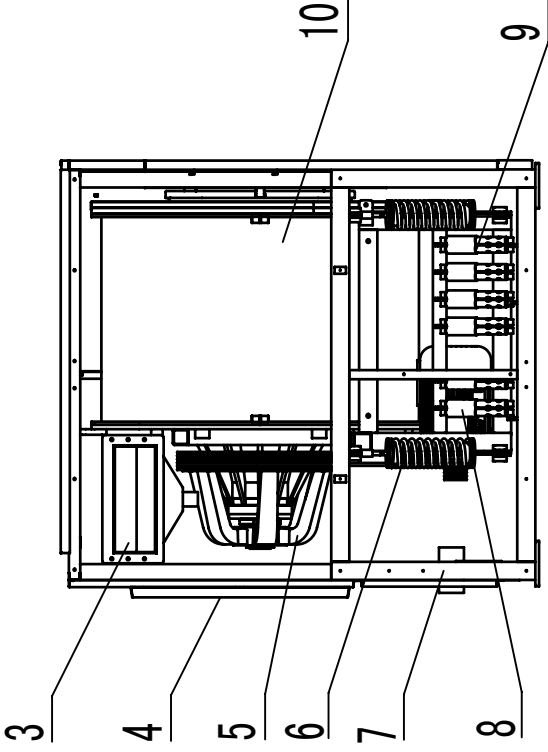
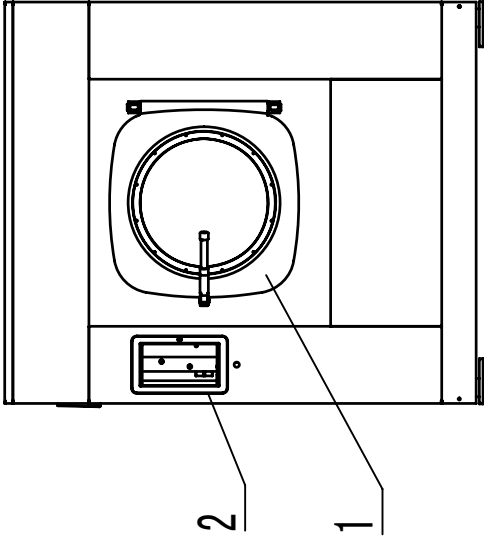


MAXI WASH

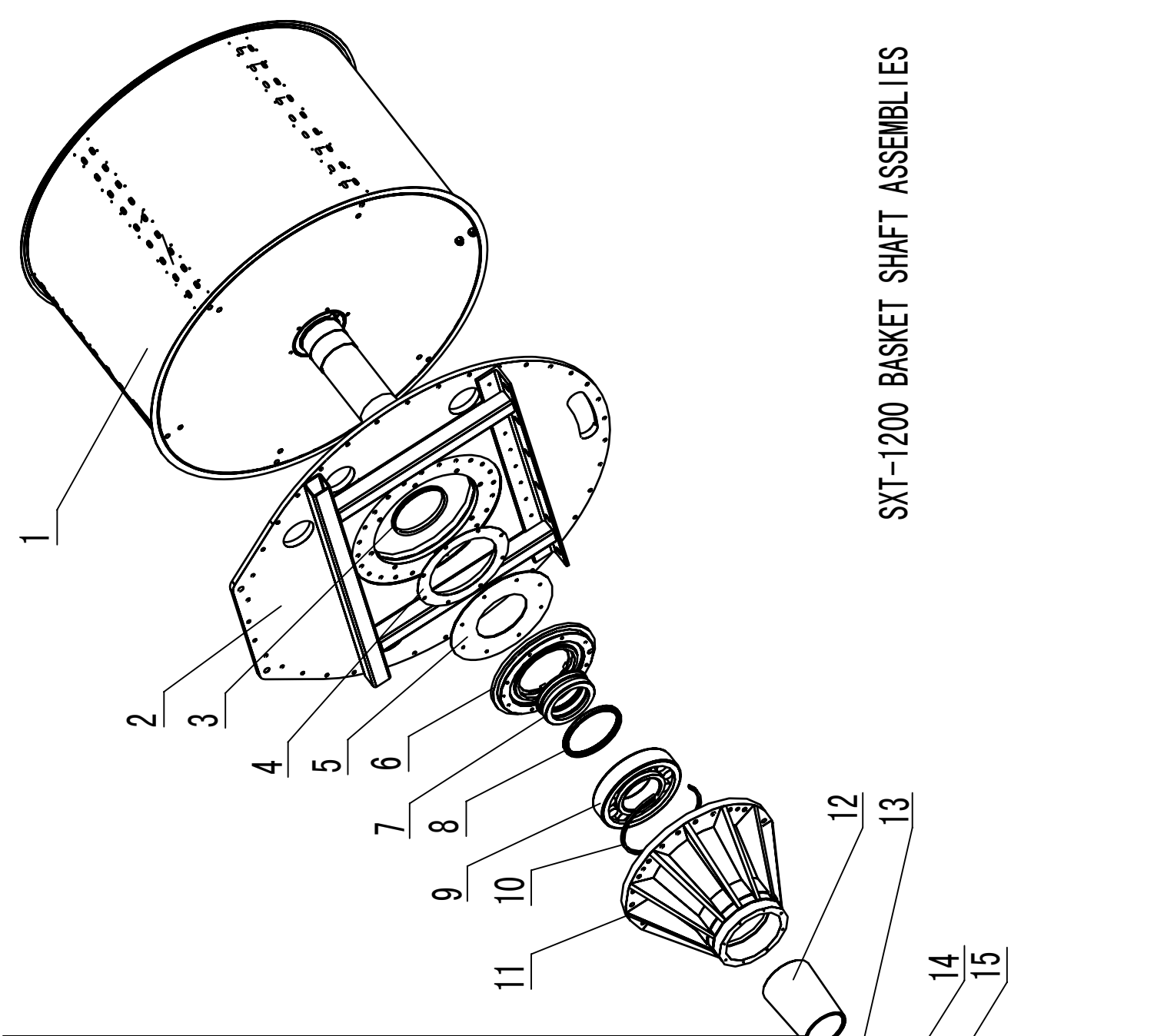
SPARE PARTS

MWSXT - 1000FQ



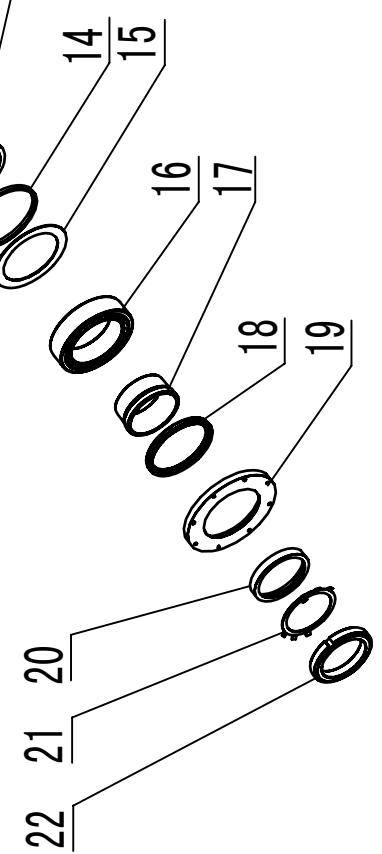
No.	Name	Part-No.	Spec.	Pieces
1	Load door assemblies	146300		1
2	Computer	844205	SX137500A	1
3	Soap box	782019		1
4	Electric box	145200		1
5	Belt sheave	143101		1
6	Spring	735003		4
7	Framework	141200		1
8	Motor	791027	11kw 1400r.p.m.	1
9	Damper	733006		28
10	Drum	142500		1
11	Water inlet assemblies	144200		1
12	Drain assemblies	144400		1

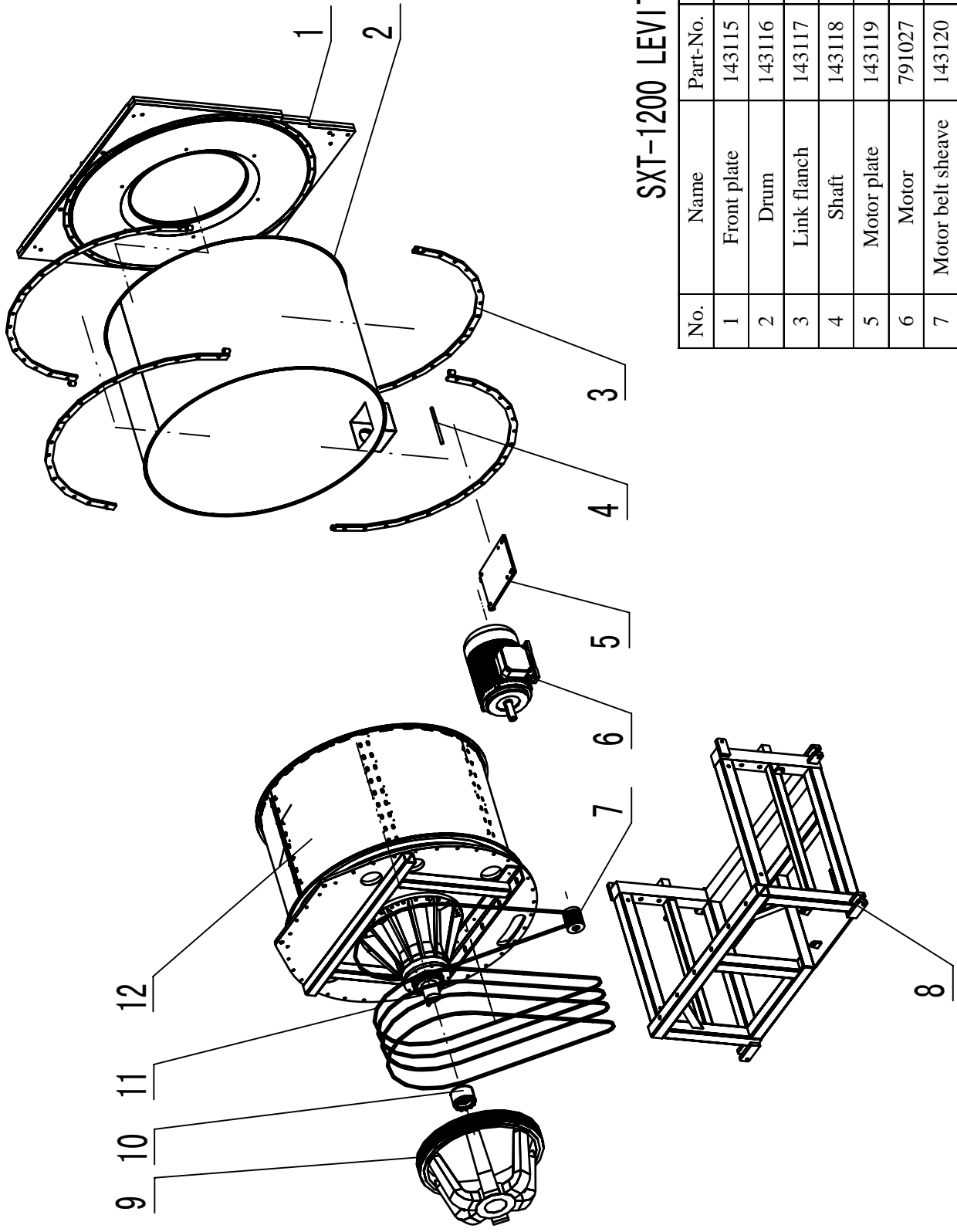
Rev.	Approved Date	Remarks	DRAWN	CHECKED	SCALE	TITLE
						SXT-1200 Washing Machine
			DESIGNED	APPROVED	NO	DRAWING NO.



SXT-1200 BASKET SHAFT ASSEMBLIES

No.	Name	Part-No.	Spec.	Pieces	Notes
1	Basket	143102		1	
2	Drum back plant	143103		1	
3	Seal ring	321102	V199S	1	
4	Gasket seal	143104		1	
5	Gasket plant	143105		1	
6	Front cap	143106		1	
7	Oil seal support	143107		1	
8	Oil seal	321016	200×230×15	1	
9	Bearing	240123	NU330E	1	
10	Front isolated ring	143108		1	
11	Bearing support	143109		1	
12	Isolated bush	143110		1	
13	Circlips for holes	215110	220	1	
14	Back isolated ring	143111		1	
15	Back baffle	143112		1	
16	Bearing	240124	23030CK	1	
17	Disassemble bush	240125	AH3030	1	
18	Oil seal	321012	170×200×15	1	
19	Back cap	143113		1	
20	Shaft sleeve	143114		1	
21	Tab washer	214407	145		
22	round nut	213206	M145×2		



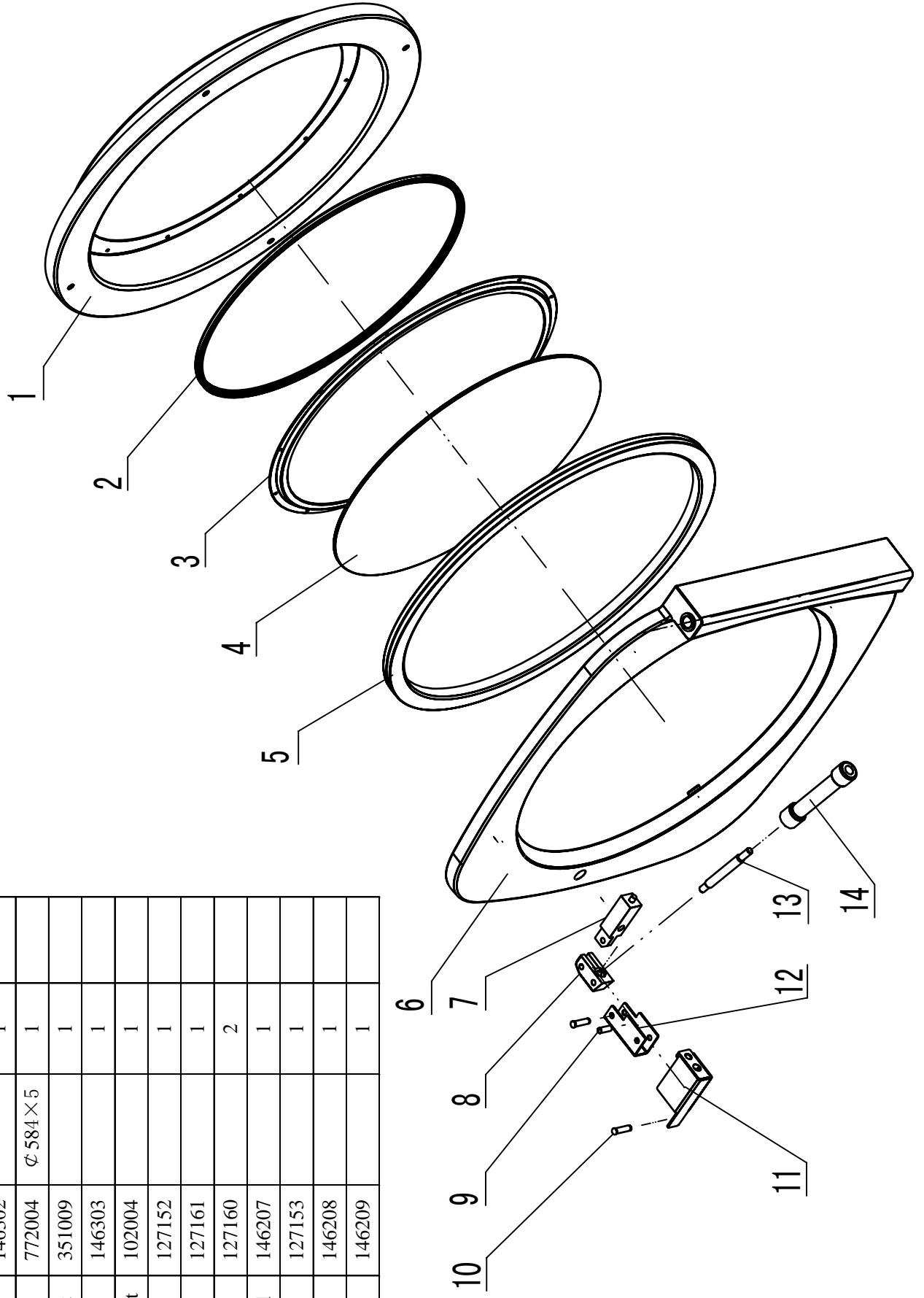


SXT-1200 LEVITATION ASSEMBLIES

No.	Name	Part-No.	Spec.	Pieces	Notes
1	Front plate	143115		1	
2	Drum	143116		1	
3	Link flanch	143117		4	
4	Shaft	143118		1	
5	Motor plate	143119		1	
6	Motor	791027	11kw 1400r.p.m.	1	Y160M-4
7	Motor belt sheave	143120		1	
8	Framework	143121		1	
9	Belt sheave	143122		1	
10	Locking assemblies	222009	ACL 90×130DE	1	
11	V-belt	231004	A.3200	5	
12	Basket	143102		1	

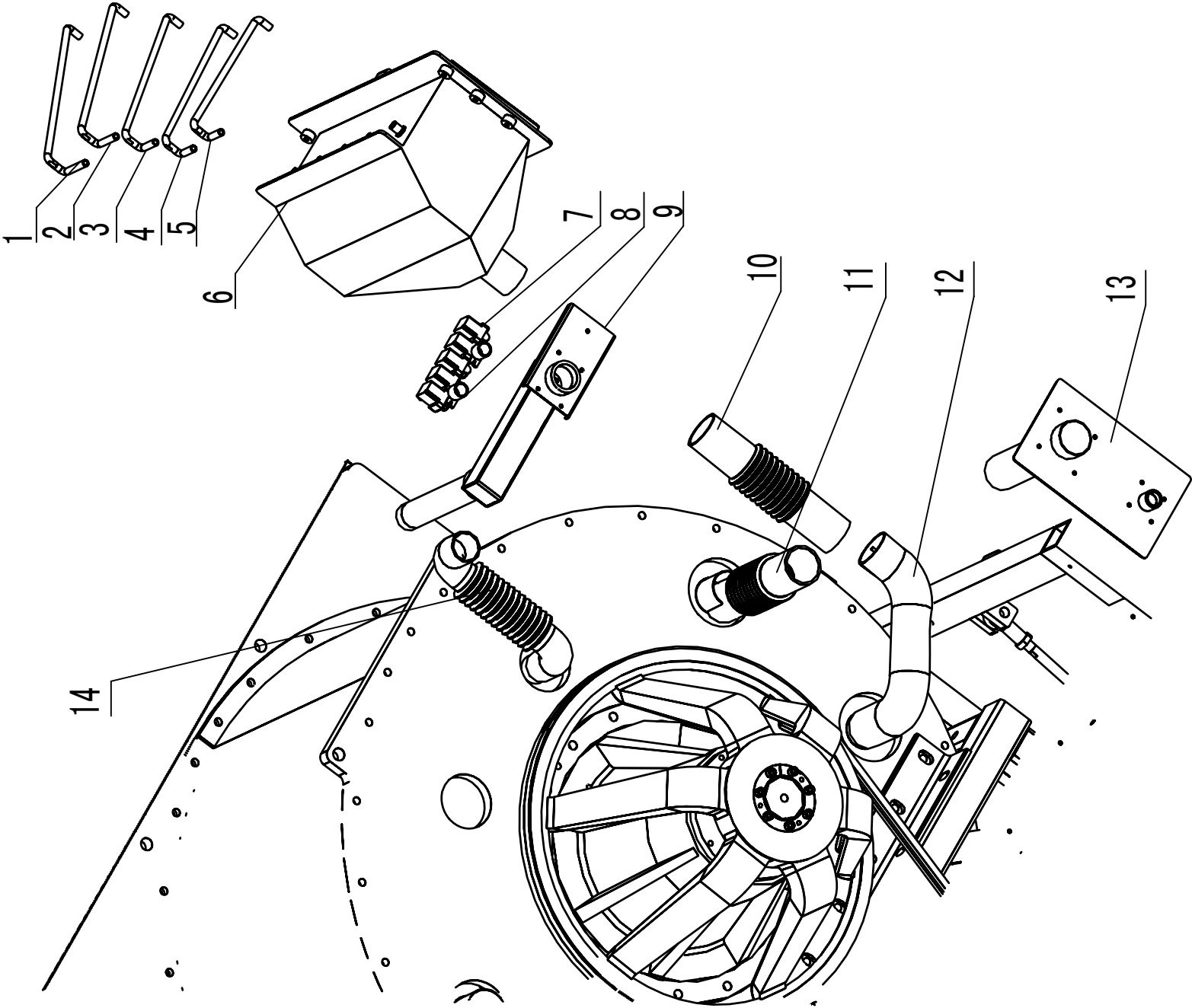
SXT-1200 LOADING DOOR ASSEMBLIES

No.	Name	Part-No.	Spec.	Pieces	Notes
1	Door cone	146301		1	
2	Glass gasket	351008		1	
3	Glass gland	146302		1	
4	Glass	772004	Φ 584×5	1	
5	Door gasket	351009		1	
6	Door frame	146303		1	
7	Lock support	102004		1	
8	Lock block	127152		1	
9	Pin 1	127161		1	
10	Pin 2	127160		2	
11	Handle shell	146207		1	
12	Door hook	127153		1	
13	link rod	146208		1	
14	Hand	146209		1	



SXT-1200 WATER INLET ASSEMBLIES

No.	Name	Part-No.	Spec.	Pieces	Notes
1	Soap hose 5	950101		1	
2	Soap hose 4	950102		1	
3	Soap hose 3	950103		1	
4	Soap hose 2	950104		1	
5	Soap hose 1	950105		1	
6	Soap box	782019		1	
7	Feeder water valve-3	840505		1	
8	Feeder water valve-2	840502		1	
9	Water allotter	144101		1	
10	Soap hose A	362015		1	
11	Soap hose B	362016		1	
12	Soap hose	362017		1	
13	Dock plate	144102		1	
14	Water-inlet hose	362021		1	



SXT-1200 DRAIN PIPE ASSEMBLIES

No.	Name	Part-No.	Spec.	Pieces	Notes
1	Hose clamps	25106	90	2	
2	Overflow pipe	362019		1	
3	Drain valve	124410		1	
4	Drain link hose 1	362022		1	
5	Drain T-bend	124420		1	
6	Drain link hose 2	362022		1	
7	Hose clamps	25107	120	4	
8	Level pipe	362014		1	
9	Hose clamps	25105	40	1	
10	Cylinder	421005	∅40×125	1	
11	Valve body	124411		1	
12	Binder plate 1	124412		1	
13	Gasket	362023		1	
14	Binder plate 2	124413		1	

