

## TUMBLE DRYERS

### ECONOMY LINE MTDE-25-MT, MTDE-35-MT

#### FEATURES

- Tumble dryer in galvanised steel.
- Big loading door (opening of 180°).
- Direct drive through a gearbox, no pulley.
- Time and temperature selection. (These models do not allow the moisture control option).
- REVERSE DRUM: All models offer the reverse turning of the drum.
- Drum in galvanised steel.
- Radial airflow circuit.
- New filter drawer with wide surface and improved airflow.
- Cool Down: Anti-wrinkle at the end of cycle.
- Models available in electric or gas heating.



#### OPTIONS

- Version in 60 Hz.
- Marine versions 440V III 60 Hz No neutral or 480V III 60 Hz No neutral.



ELECTRONIC CONTROL



AXIRAD AIR FLOW



REVERSE DRUM



SMART DRY



STAINLESS STEEL DRUM



FIRE EXTINGUISHER

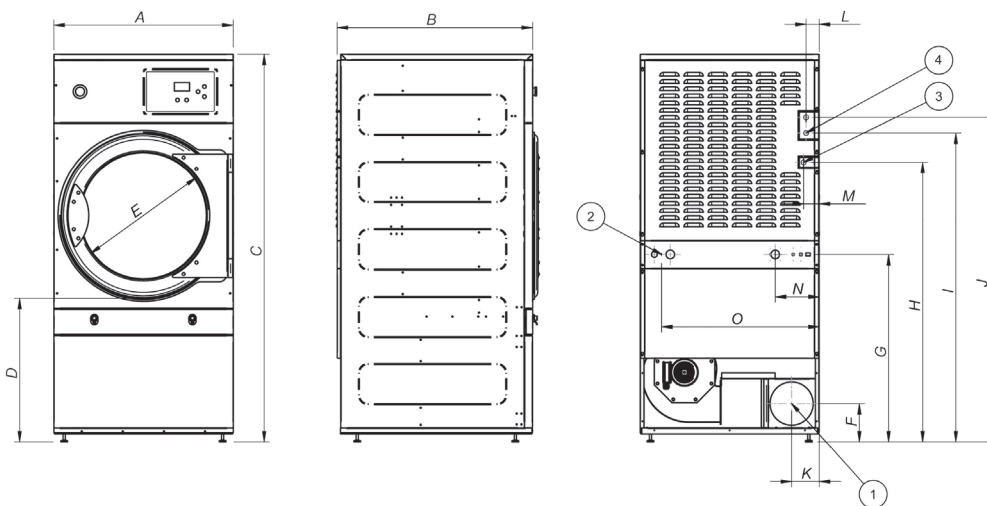


FULL FLOW



GENTLE DRY

TECHNICAL DATA	UNIT.	MTDE-25-MT	MTDE-35-MT		
<b>CAPACITY</b>					
Capacity	lb	25	35		
Capacity	kg	11	16		
Hourly Output	Kg/h	21	33		
Evaporation capacity	l/h	10,9	17,2		
<b>RUM</b>					
Ø Drum	mm	750	750		
Ø Door	mm	574	574		
Door center height	mm	976	976		
Load hole bottom height	mm	689	689		
Drum length	mm	475	746		
Drum volume	l	210	330		
<b>POWER</b>					
Drum motor power	Kw	0,25	0,25		
Fan Motor Power	Kw	0,25	0,25		
Total Installed power	Kw	12,55	18,55		
Electric Heating (Installed power)	Kw	12	18		
Gas heating (installed Power) in KW	Kw	20,51	20,51		
Gas heating (installed el. power)	Kw	0,55	0,55		
Steam heating (Steam Power KW)	Kw	30	30		
Steam heating ( installed el. power)	Kw	0,55	0,55		
<b>CONNECTIONS</b>					
		<b>ELECTRICAL</b>	<b>GAS</b>	<b>ELECTRICAL</b>	<b>GAS</b>
Tension 230V - I + T	N° x mm2 / A	3 x 35 / 63A	3 x 1,5 / 20A	-	3 x 1,5 / 20A
Tension 230V - III + T	N° x mm2 / A	4 x 10 / 40A	4 x 1,5 / 20A	4 x 16 / 63A	4 x 1,5 / 20A
Tension 400V - III + N + T	N° x mm2 / A	5 x 4 / 25A	5 x 1,5 / 20A	5 x 10 / 32A	5 x 1,5 / 20A
Ø Gas inlet	BSP	1/2"		1/2"	
<b>DIMENSIONS / PACKING DIMENSIONS</b>					
Width / Width	mm	785 / 865		785 / 865	
Depth / Depth	mm	840 / 940		1110 / 1210	
Height / Height	mm	1694 / 1840		1694 / 1840	
Height without heating battery	mm	-		-	
Net weight / Gross weight	Kg	172 / 180		187 / 200	
<b>OTHERS</b>					
Max airflow	m3/h	850		850	
Ø Fume exhaust	mm	200		200	
Sound level	dB	64		64	



- 01. Fumes outlet
- 02. Electrical connection
- 03. Gas connection
- 04. Condensation outlet

	A	B	C	D	E	F	G	H	I	J	K	L	M	N	O
MTDE-25-MT	785	840	1.700	618	574	168	821	1.226	1.354	1.422	121	56	68	192	690
MTDE-35-MT	785	1.010	1.700	618	574	168	821	1.226	1.354	1.422	121	56	68	192	690

4317 E. Genesee Street Suite 100 DeWitt, New York 13214 USA  
 Phone: 315 446-2180 Fax: 315-446-2431  
 E-mail: sales@maxico.com

